



RST INSTRUMENTS LTD.

Inclinometer Casing Repair Manual

RST Instruments Ltd.
200 – 2050 Hartley Avenue
Coquitlam, B.C. Canada V3K 6W5
Tel: (604) 540-1100
Fax: (604) 540-1005
info@rstinstruments.com
www.rstinstruments.com

Inclinometer Casing Repair Manual

Although all efforts have been made to ensure the accuracy and completeness of the information contained in this document, RST Instruments reserves the right to change the information at any time and assumes no liability for its accuracy.

Product: Inclinometer Casing Repair Manual

Document number: ICM0036A Inclinometer Casing Repair Manual

Revision: 1.0

Date: May 27, 2004

1 Repairing Damaged Casing

Damaged inclinometer casing can be repaired using RST repair couplings. Most of the time, casing becomes damaged near the top of the borehole due to movement of heavy equipment etc. In any case, the damaged portion of the casing needs to be removed.

1. Cut off the damaged portion of the casing using a hacksaw. Be sure to make this cut as square as possible. Remove all burrs.
2. Insert the RST Coupling Tool (Figure 1) half way into the casing.

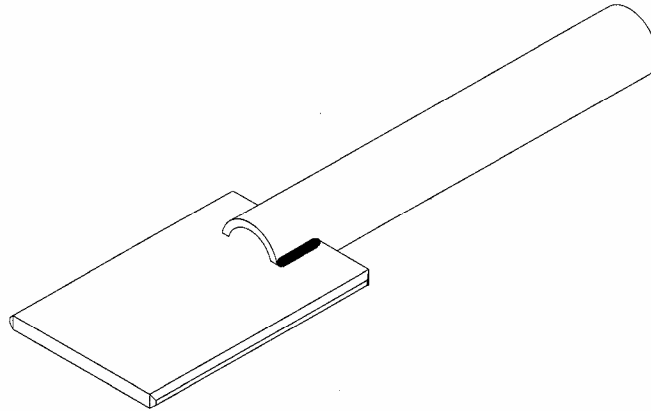


Figure 1 – RST Coupling Tool

3. Apply a thin layer of ABS premium cement (**not PVC cement**), to top of the casing, protruding from the borehole, as shown in Figure 2.

Caution:

Do not apply cement to the inside of the Coupling, as this may cause the cement to extrude inside the casing and block the broached grooves.

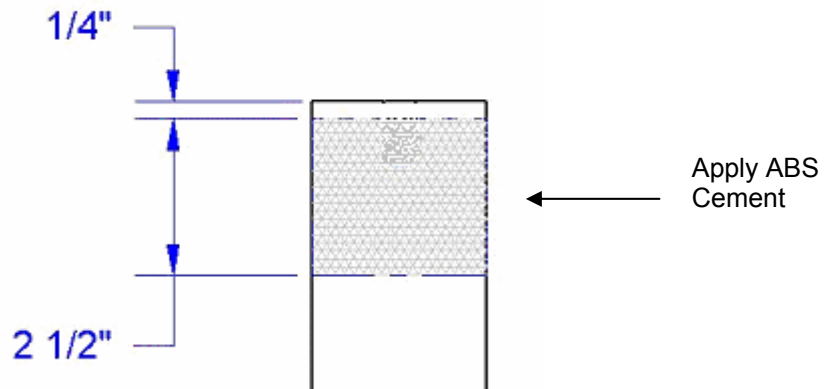


Figure 2 – Casing Preparation. The repair coupler will slide over top and the alignment tool will be used.

4. Slide the RST repair coupling onto the casing, over the RST Alignment Tool (which is protruding out) and align the grooves.
5. Allow the glue to set and proceed by adding additional casing sections by lining up the Alignment Key in the Coupling with the notch on the end of the repair coupling (see Figure 3).
6. If RST Snap-Seal casing is being used. Proceed by installing the subsequent casings as usual. The next steps illustrate how to install RST Glue and Snap Casing.
7. Apply a thin layer of ABS Cement to end of the next piece of casing as shown in Figure 3. Subsequent casing sections in a borehole should be assembled using ABS cement on the **male end only**. Applying cement to the female end can potentially block the grooves, thus fouling the inclinometer probe. In each case, the alignment button on the casing should be aligned with the notch in the female end (Figure 3). If assembly of the joint is difficult, an ABS/PVC cleaner can be used prior to the application of the ABS cement. The cleaner not only cleans the pipe, but helps to soften the ABS lessening the force required to complete the joint.

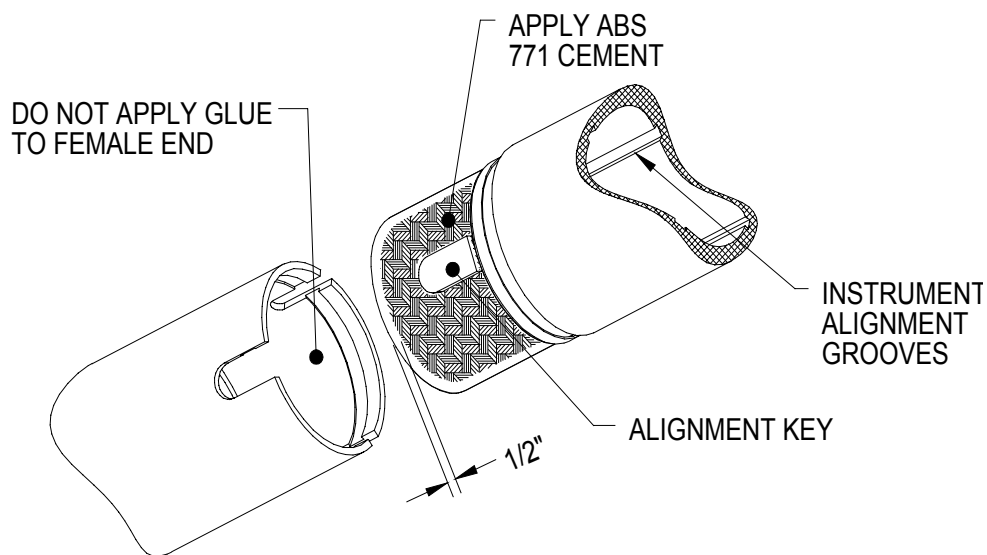


Figure 3 – Typical Casing Joint