



***RST INSTRUMENTS*** LTD.

---

Rod Extensometer  
Model EX-1  
Instruction Manual

RST Instruments Ltd.  
200 – 2050 Hartley Avenue  
Coquitlam, B.C. Canada V3K 6W5  
Tel: (604) 540-1100  
Fax: (604) 540-1005  
e-mail: [info@rstinstruments.com](mailto:info@rstinstruments.com)

---

# Rod Extensometer Model EX-1

---

Although all efforts have been made to ensure the accuracy and completeness of the information contained in this document, RST Instruments reserves the right to change the information at any time and assumes no liability for its accuracy.

---

**Product:** Rod Extensometer Model EX-1  
Installation Manual

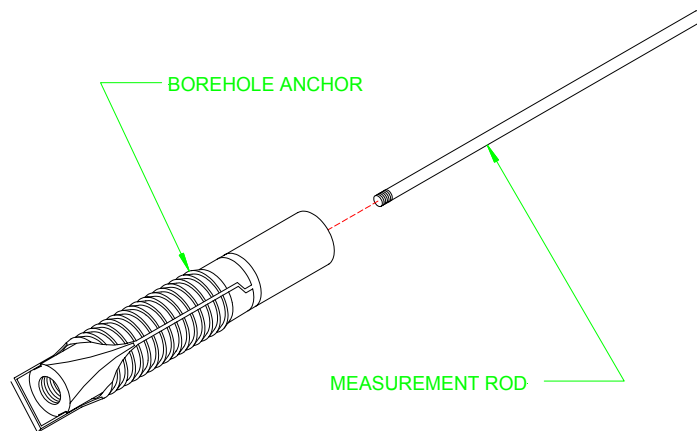
**Document number:** EXM0006C  
**Revision:** 1.3  
**Date:** October 23, 2002

## INSTALLATION PROCEDURE

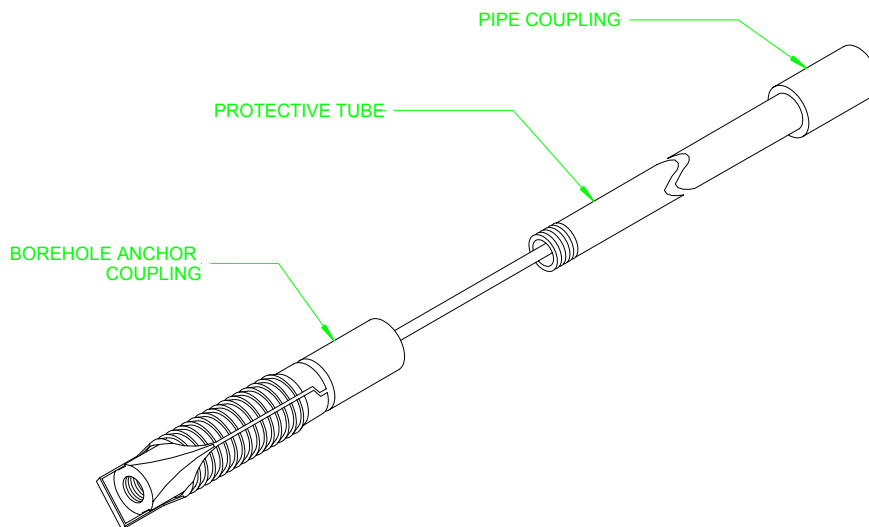
The EX-1 rod extensometer can be assembled in place in the borehole or as a unit on the ground and then inserted as a complete unit into the borehole. The EX-1 is made up of four basic components:

1. Collar Anchor
2. Borehole Anchor
3. Measurement Rod (1/4 dia. S.S.)
4. Protective Tube (1/2 in. pipe)

1. Thread a length of the Measurement Rod into the Borehole Anchor.

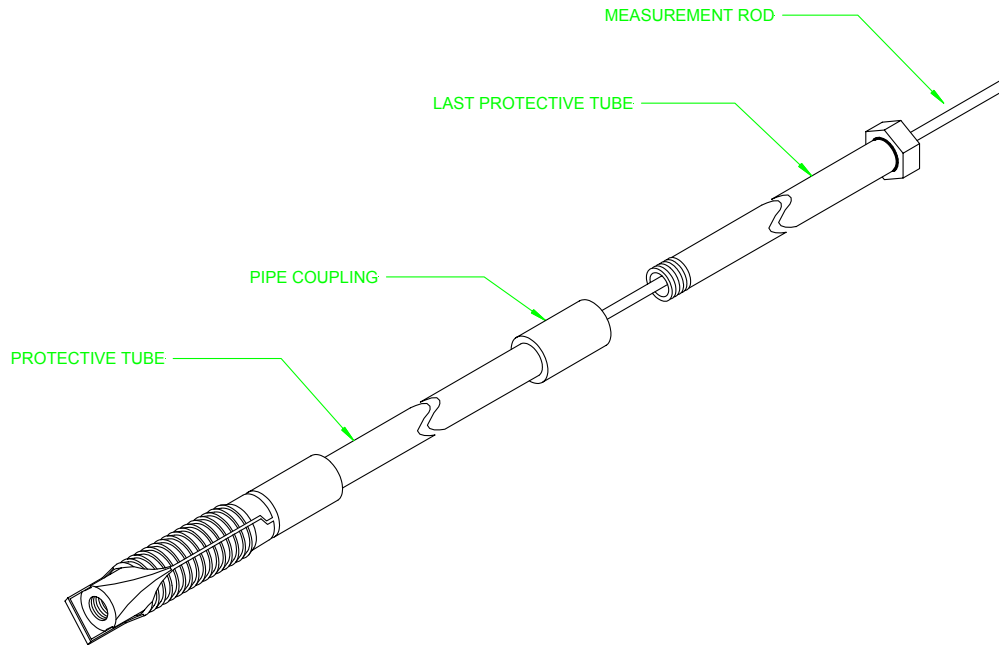


2. Place a length of Protective Tube over the Measurement Rod.
3. Thread the Protective Tube onto the coupling of the Borehole Anchor.

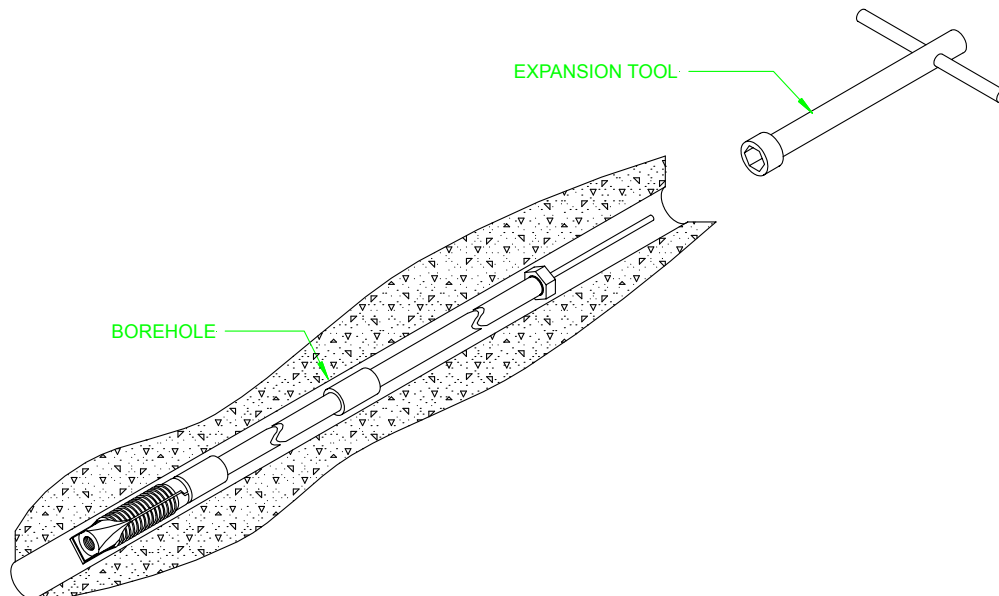


4. Repeat procedures 3-4 until the last set of Measurement Rods and Protective Tubes is required.
5. Thread the final Measurement Rod on.

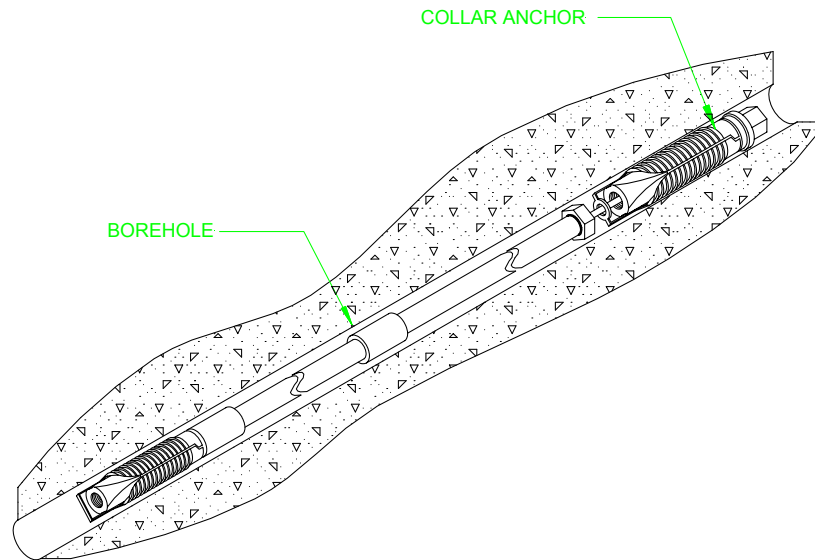
6. Thread the last Protective Tube, which has a nut welded on one end, to the previous Protective Tube's pipe coupling.
7. The Measurement Rod should now extend about 6 inches out of the Protective Tube and should terminate about 1/4 inch inside the borehole.



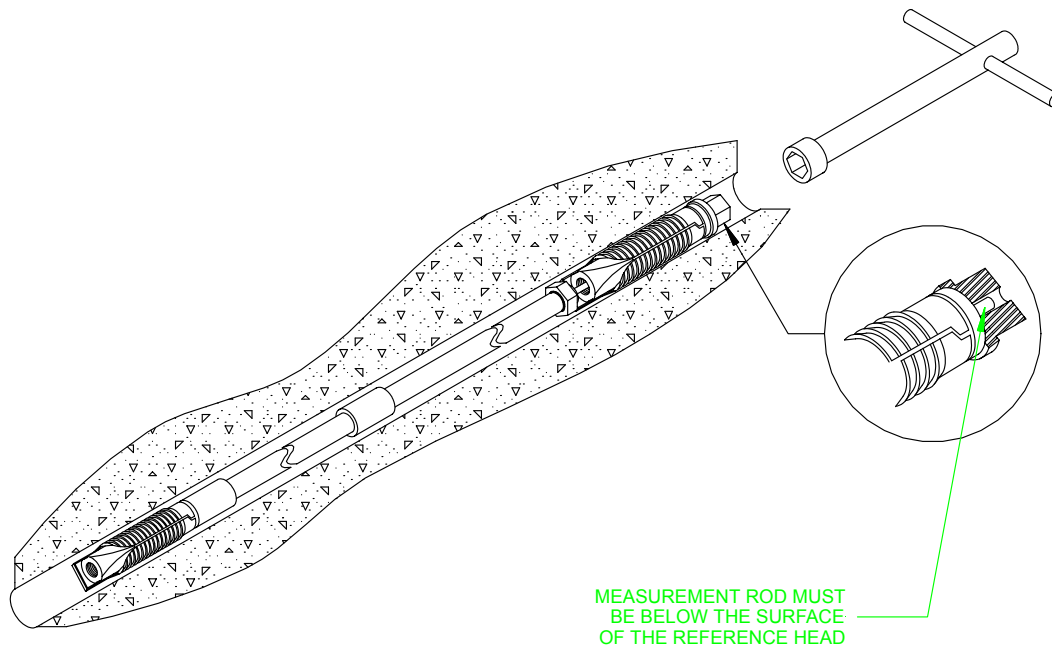
8. Using the Expansion Tool, set the bottom anchor by turning the nut on the top Protective Tube.



9. Insert the Collar Anchor over the Measurement Rod so that the end of the rod is about 1/2 to 1 inch below the reference surface of the Collar Anchor.



10. Using the expansion tool set the Collar Anchor. The EX-1 Rod Extensometer is now ready for the first reading.



11. Ensure that the measurement rod is below the surface of the reference head.